

Registered Design Copyright © 2010

NOTE

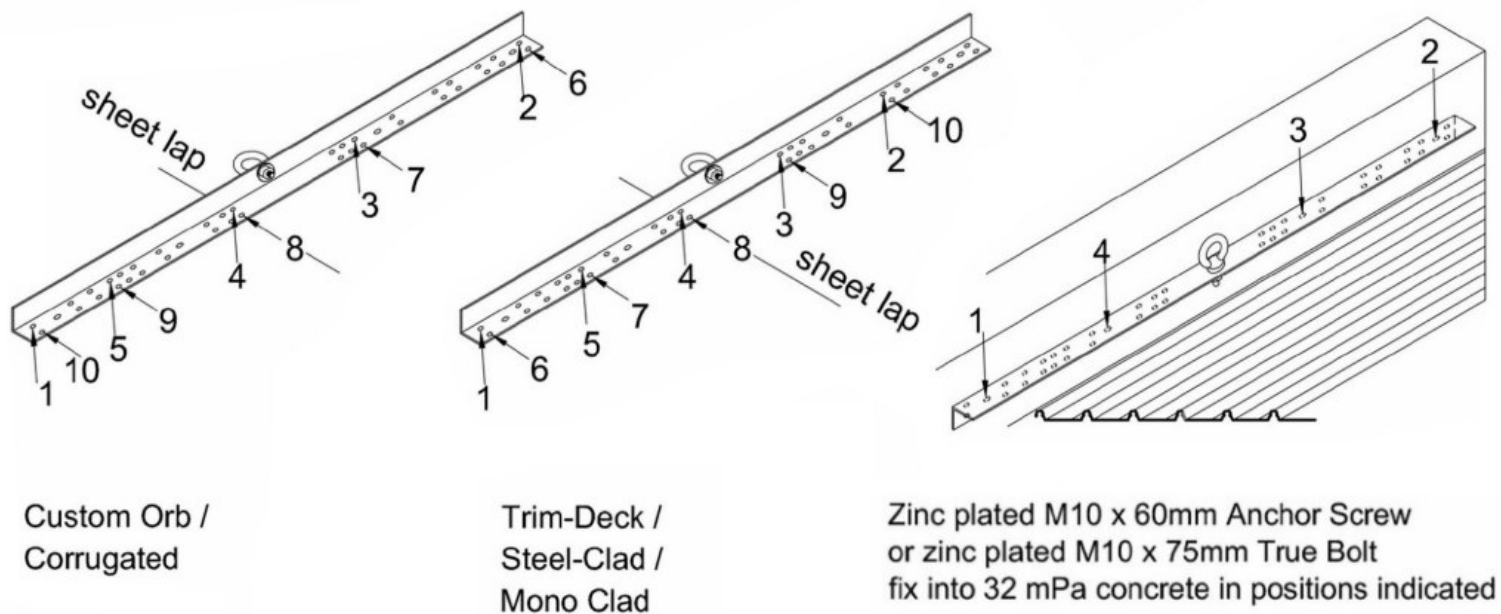
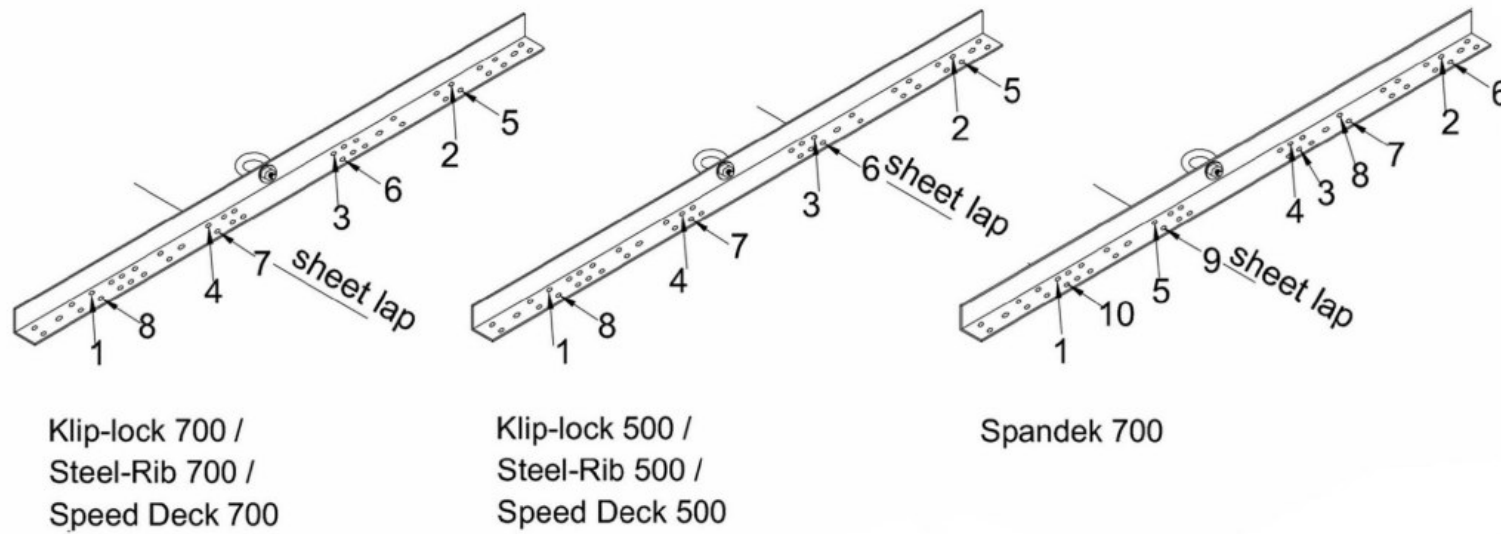
USE, INSPECTION AND MAINTENANCE

It is a requirement that the roof anchor be visually inspected prior to each use, if any of the following are evident, the roof anchor must be removed from service immediately: Any defects, absent markings / labelling, evidence of missing parts, or if the roof anchor has been used in a fall. Roof anchor not to be used in a corrosive environment. Temporary fix not to be used as a permanent fixture. Roof anchor to be used in the direction of eyebolt only. Roof anchor to be used only where roof sheeting has been fully installed in accordance with manufacturers recommendations. Roof sheeting profile can vary up to 5mm, inspect roof sheeting prior to installation of roof anchor. Roof anchor to be cleaned regularly with a damp cloth.

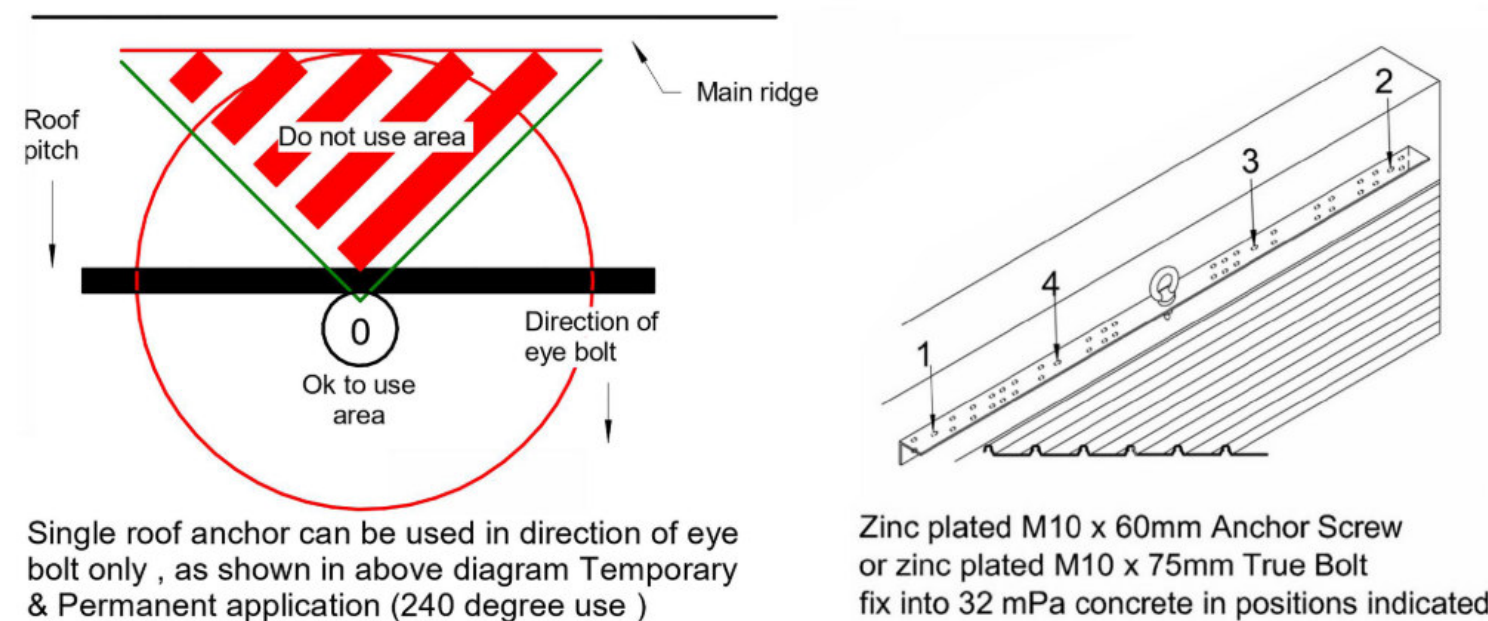
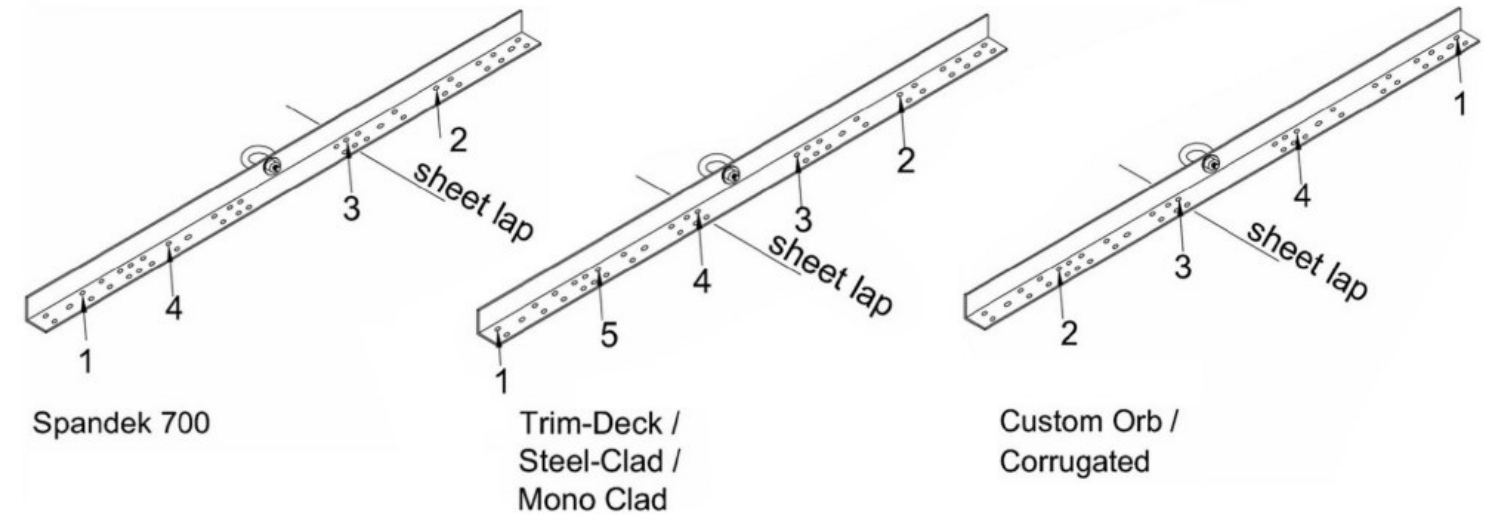
IMPORTANT

All specified fastenings must be fixed into adequate roof structure, if adequacy of the roof structure is in doubt, the roof should be inspected and certified by a registered structural engineer. It is the responsibility of the installer and user for the correct use of the anchor. It is recommended that the roof anchor be fixed 2500mm from edge of roof and no less than 800mm from edge of roof. Other fastenings are NOT to be used with the roof anchor. Shock absorber equipment must be attached at all times. For correct use of equipment, refer to AS/NZS 1891.4: 2009 , industrial fall-arrest systems and devices - selection, use and maintenance. People with any disability, impaired vision or other impaired capabilities are not to use the roof anchor. Min grade of timber to be F8, min grade of steel to be G450. Temporary fix custom orb timber fix only. If product is misused death or serious injury may result.

Permanent fix (min grade sheet thickness 0.42mm) with 1 Fab-Lok EZJ120 or with 1 x Bulb-tite 7.7mm x 27mm RV6605-9-6W fixed in sequence as indicated below. **to be installed and used by competent persons only.**



Temporary fix (min grade sheet thickness 0.42mm) with 1 x Bremick 14-20 x 65mm fixed in sequence as indicated below. **to be installed and used by competent persons only.**



Single roof anchor can be used in direction of eye bolt only , as shown in above diagram Temporary & Permanent application (240 degree use)

Zinc plated M10 x 60mm Anchor Screw or zinc plated M10 x 75mm True Bolt fix into 32 mPa concrete in positions indicated