

INSTALLATION AND USER GUIDE

To be installed and used by competent persons ONLY

The safer,
smarter height
safety solution

Comes with:

1 x ladder access bracket, 1 x installation and user guide, 4 x permanent fixings ONLY

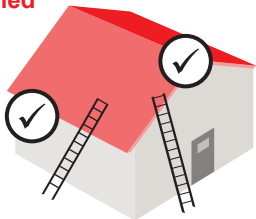
FUNCTIONALITY

The ANKAme Ladder Access Bracket is a fully compliant tool, designed to ensure your safety whilst working at heights.

The bracket can be surface mounted to any metal, concrete or masonry roofing or walls, temporarily or permanently.

KEY FEATURES

- Multifunctional / Multidirectional use
- Adapts to all common metal roof sheet profiles.
- Aligns to roof screw patterns & profiles.
- Compatible with all roofing material profiles and types.
- Compatible with direct contact to other common roof and wall materials such as steel, masonry structures and concrete. (Not suitable for contact with stainless steel, copper, or lead).
- Fits up and over most common gutter profiles.
- Made of high-grade, durable aluminium plate, with a finished finish.
- Lightweight (1 kg)
- Can be installed on horizontal edge of roof or angled side of roof.



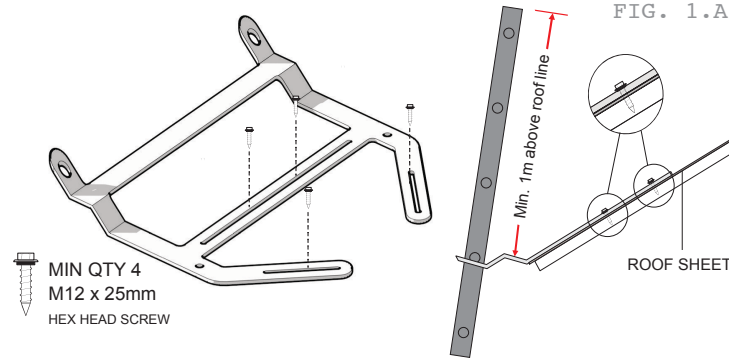
TEMPORARY/PERMANENT LADDER ACCESS BRACKET

FOR FIXING TO METAL

PERMANENT fix onto METAL

For roof or wall mounting, a **minimum** of 4 12x25mm roof screws with neoprene washer must be used for the permanent fix installation onto metal material, as shown in FIG 1.A

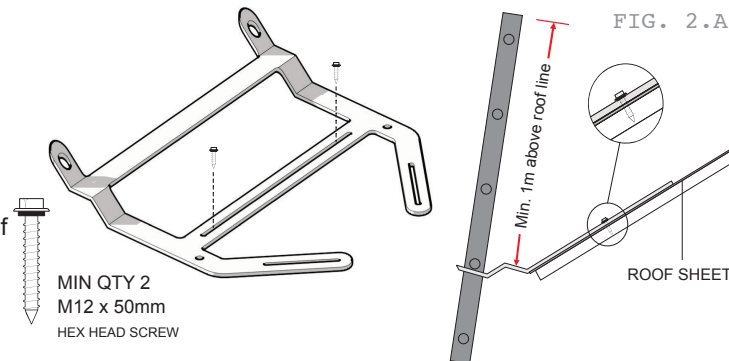
Comes with permanent fixings.



TEMPORARY fix onto METAL

For roof or wall mounting, a **minimum** of 2 12x50mm roof screws with neoprene washer are used for the temporary fix installation onto metal roofs or walls as shown in FIG 2.A.

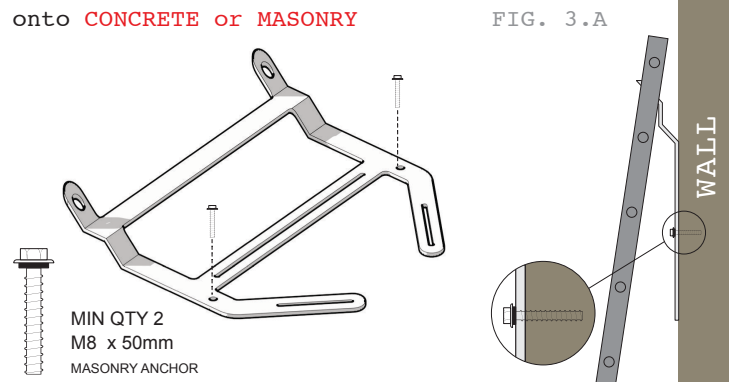
All screws must penetrate into timber or steel structure below roof sheeting, as shown. Temporary fixings to be used from existing roof. **Temporary fix application is not suitable for Permanent fix application.**



FOR FIXING TO CONCRETE or MASONRY

TEMPORARY or PERMANENT fix onto CONCRETE or MASONRY

For wall mounting, a **minimum** of 2 8x50mm anchor bolts are used for the permanent fix installation onto concrete roofs or walls, as shown as shown in FIG 3.A



SELECTION, USE AND MAINTENANCE

Ladder should be tied to bracket during use. Do not install bracket in a corrosive environment. Do not use chemicals to clean. Wipe with a clean, damp cloth regularly. Access bracket should be inspected every 12 months.



USERS MANUAL



If in doubt about installation methods, visit www.ankame.com.au or scan this QR code to access our online information and technical specifications.

Disclaimer - Installation of Safety Products

The Manufacturer / Distributor cannot be held responsible for any Product that is not installed correctly or is misused. Persons installing these Products must be competent. All persons installing Height Safety Products must know the 'Working At Heights' Regulations, have had Height Safety Training & be competent in all the relevant Australian Standards applicable to the work you are doing. Any installation diagrams are the manufacturers recommended methods and must be adhered to. The Manufacturer / Distributor cannot be held responsible for incorrect installation documentation or procedures. The Distributor will endeavour to help and give guidance where necessary but cannot be held responsible for any 'mis-interpretations' or 'incorrect' advice.



9339100003316